

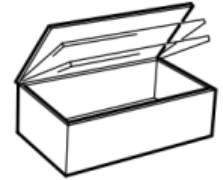
GUDH-16N Torque Damper

Features

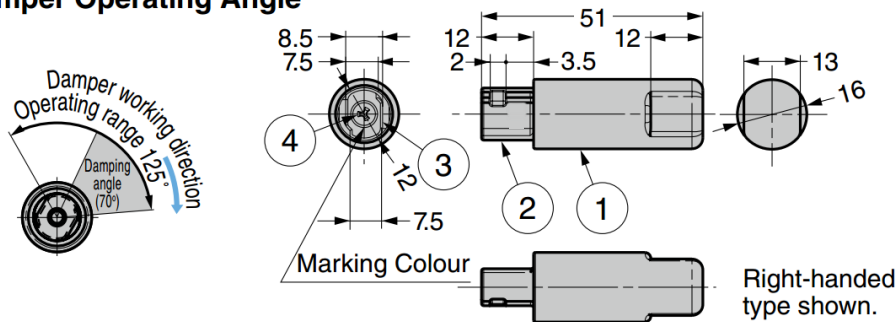
- Patented compact design technology
- Can be used as a single unit
- Keeps lids / doors from slamming shut, and avoid noise
- Colour marking indicator on the body to differentiate between different torque options
- Left and right handed options differentiated by shaft colour
- Ideal for applications requiring soft-closing flap

Notes

- When mounting on sheet metal, ensure the edge of the plate is rounded to prevent damage to the damper
- Do not apply and vertical load on the shaft

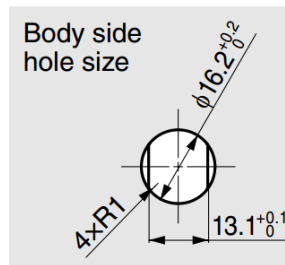
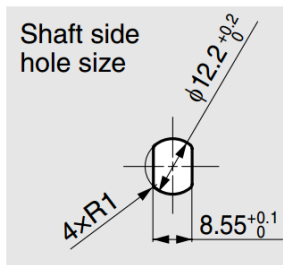


Damper Operating Angle



Right-handed: damper works when the shaft is turned clockwise (this figure)

Left-handed: damper works when the shaft is turned counterclockwise (symmetrical to this figure)



No.	Part Name	Material	Finish / Colour
①	Body	Stainless Steel	—
②	Shaft	PBT	Left-handed: Natural, Right-handed: Grey
③	Cover Ring	PPS	Black
④	Screw	Stainless Steel	—

Part No.	Type	Damper Working Direction	Marking Colour	Torque (per piece)	
GUDH-16NAMS	Left-handed	Counter-clockwise	Blue	1.7 ~ 2.4 N.m	17.3 ~ 24.5 kgf.cm
GUDH-16NBMS	Right-handed	Clockwise			
GUDH-16NAHS	Left-handed	Counter-clockwise	Red	2.2 ~ 3.0 N.m	22.4 ~ 30.6 kgf.cm
GUDH-16NBHS	Right-handed	Clockwise			